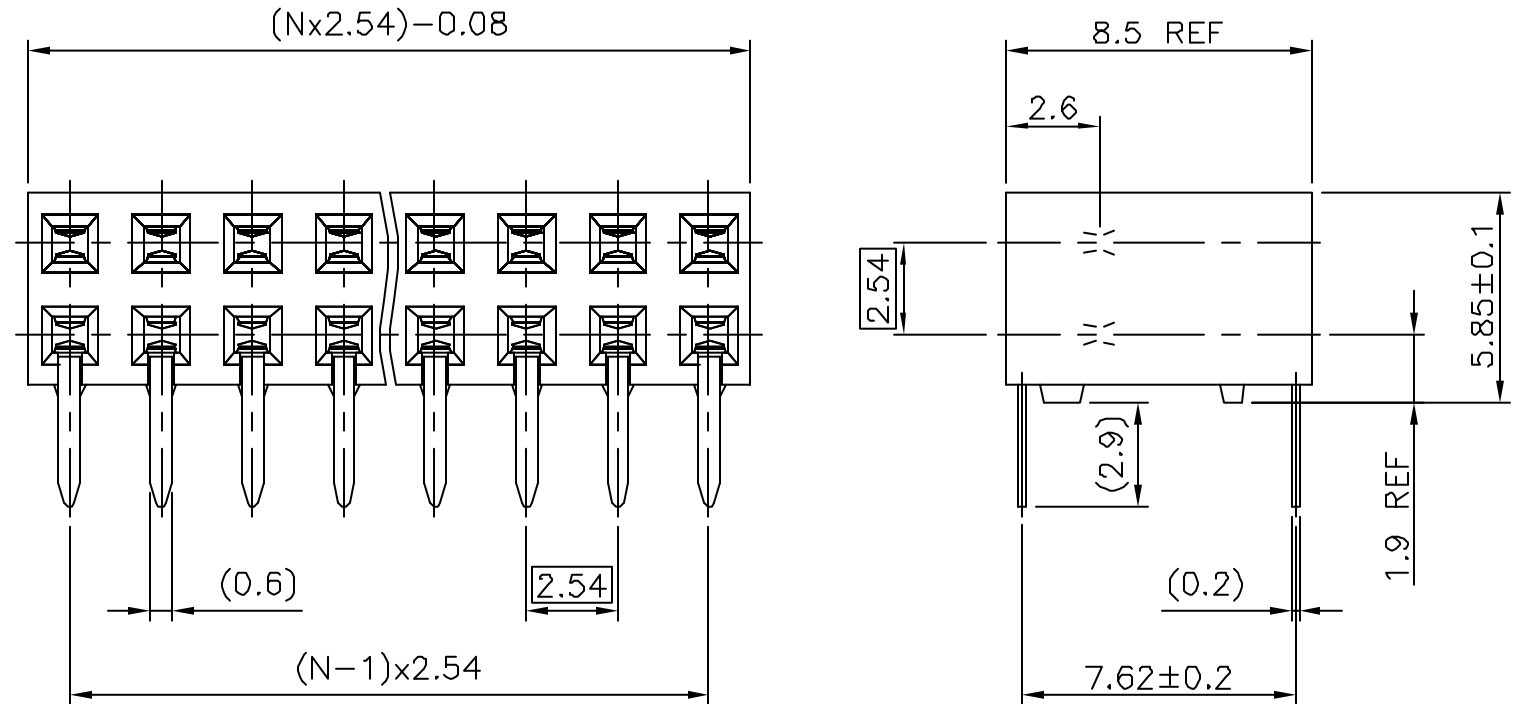


PRODUCT NUMBER
89883-YXXXLF

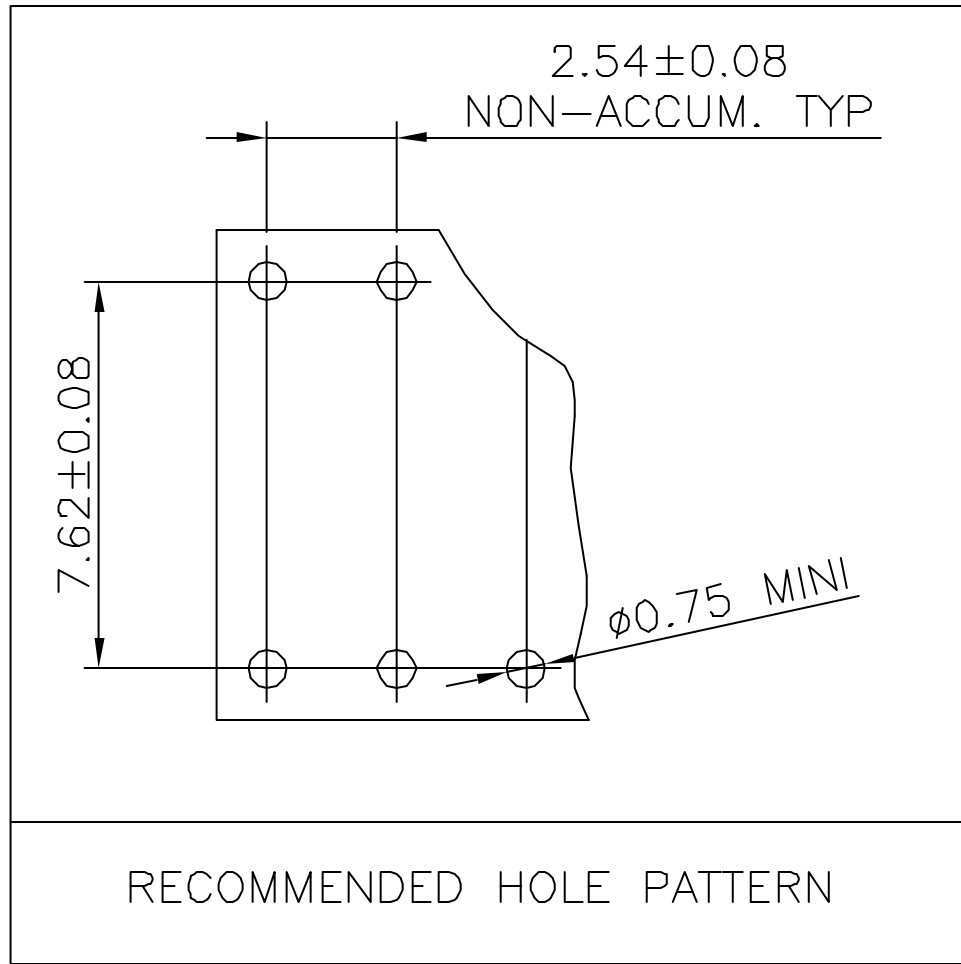
WHEN NEEDED, SUFFIX LETTER "LF"
INDICATES THE PRODUCT IS RoHS
COMPATIBLE, SEE NOTE 5.
OPTIONAL LETTER
H: HIGH TEMPERATURE PRODUCT.
NUMBER OF POSITIONS PER ROW: 02 TO 65.
PLATING CODE
3= 0.76µm GOLD ON CONTACT AREA.
3.81µm TIN-LEAD ON TAIL.
4= 5µm TIN-LEAD ON CONTACT AREA.
3.81µm TIN-LEAD ON TAIL.
WHEN SUFFIX "LF" IS REQUIRED, 2µm MIN MATTE
TIN OVER 1.27 MIN Ni IS SUPPLIED INSTEAD OF SnPb.

NOTES:

- 1 - HOUSING MAT'L: THERMOPLASTIC GLASS FILLED
FLAME RETARDANT PER UL 94 V-0.
LOW TEMPERATURE: COLOR BLUE.
HIGH TEMPERATURE: COLOR GREY.
- 2 - TERMINAL MATERIAL: PHOSPHOR BRONZE.
- 3 - 2 UP TO 4 POSITIONS PRODUCT PACKED IN PLASTIC BOX.
5 UP TO 65 POSITIONS PRODUCT PACKED IN TUBE.
- 4 - TO DETERMINE DIMENSIONS:
N = NUMBER OF POSITIONS PER ROW
EXAMPLE: 8 POS: $(N \times 2.54) - 0.08 = 20.24$ mm.
- 5 - RoHS COMPATIBLE PRODUCT SPECIFICATIONS
 - a - PLATING:
 - "LF" MEANS THE PRODUCT IS LEAD-FREE,
2µm MINIMUM MATTE TIN OVER 1.27µm
MINIMUM NICKEL UNDERPLATE.
 - b - MANUFACTURING PROCESS COMPATIBILITY
 - THE HOUSING WILL WITHSTAND EXPOSURE TO
260°C ±5°C SOLDER BATH TEMPERATURE FOR
5 SECONDS IN A WAVE SOLDER APPLICATION
WITH A 1.6mm MIN THICK CIRCUIT BOARD.
 - c - LABELING:
 - MEETS PACKAGING SPECS AS PER GS-14-920
 - d - LEGAL STATEMENT: SEE GS-22-008



mat'l. code				surface		tolerance		projection		product family	
SEE NOTES				ISO 1302		ISO 406 ISO 1101		mm		DUBOX	
ltr	ecn na	dr	date	tolerances unless otherwise specified		±0.3		mm		title	
C	F60362	PNZ	96.05.20	angles	linear					BtB RECEPT. HORIZ DR TMT	
D	F60461	PNZ	96.06.20							dwg no	
E	F70454	PNZ	97.06.23					scale 5:1		sheet 1 of 2	
F	F10110	GCO	01.01.16	dr	D LEGRAND	04.09.28		FCJ		size	
G	F04-0347	DLE	04.09.28	enr	P NIZZI	04.09.28				89883	
H	F06-0204	DLE	06.06.21	chr	D LEGRAND	04.09.28				A3	
				appd	P NZ	04.09.28				type	
										CUSTOMER Drawing	
sheet index	revision sheet	H	B								
		1	2								



FCI
FCIconnect.com

Copyright FCI

mat'l. code SEE SHEET 1				surface ISO 1302 ✓		tolerance ISO 406 ISO 1101		projection 		product family DUBOX							
Ltr				ecn no		dr		date		title							
A				F04-0347		DLE		04.09.28		BtB RECEPT. HORIZ DR TMT							
B				F06-0204		DLE		06.06.21									
				angles		linear		±0.3		mm							
				±2'						scale 5:1							
				dr		D LEGRAND		04.09.28				dwg no		sheet 2 of 2		size	
				enr		P NIZZI		04.09.28				89883		A4			
				chr		D LE		04.09.28				CUSTOMER		Drawing			
				appd		P NZ		04.09.28									
sheet index		revision sheet															